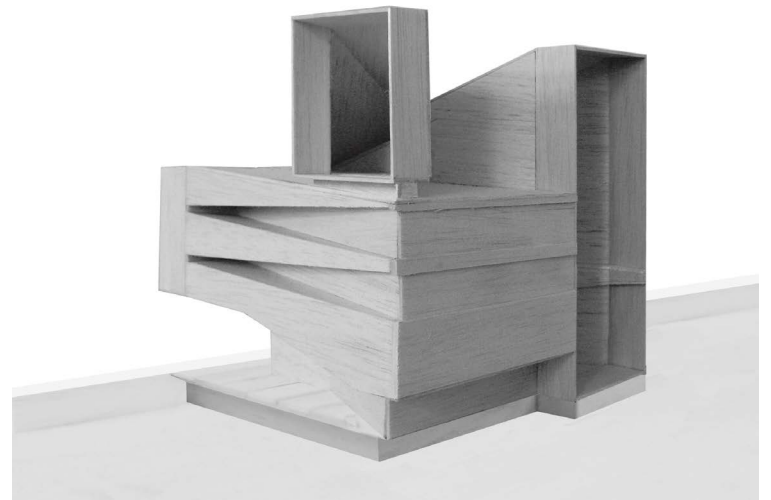
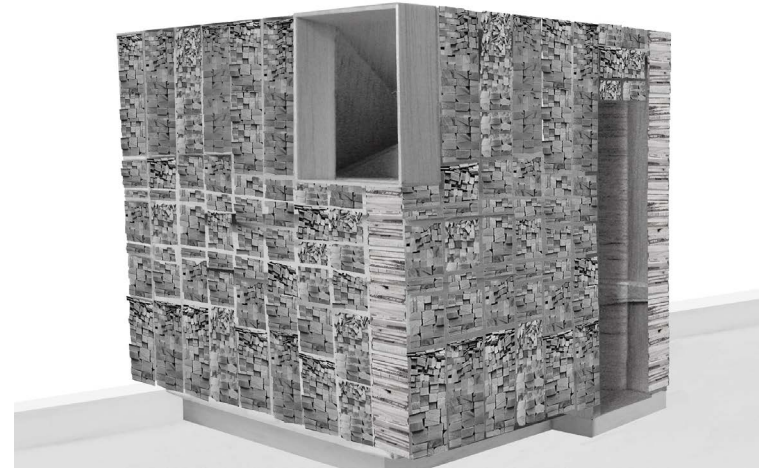




ZIMMER

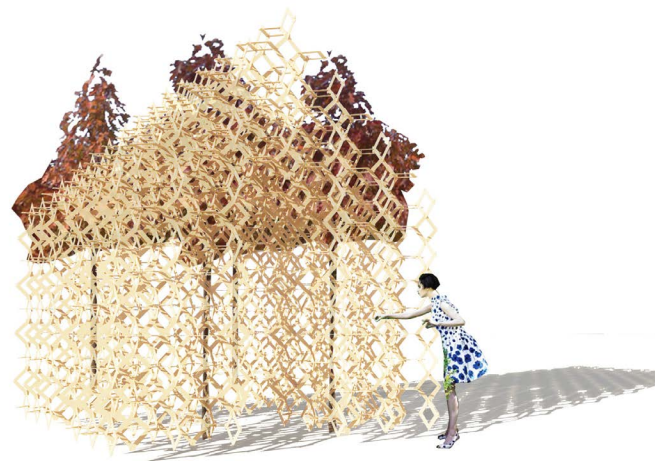
An installation
at the
OMI International Arts Center
Ghent, NY
in 2017
by
Antistatics/CODA
Martin Miller/ Caroline O'Donnell with
Cornell University

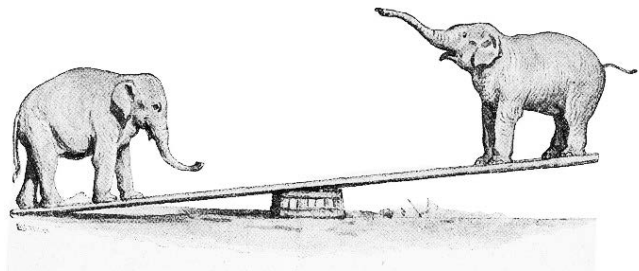


BURNING



PREVIOUS PROJECT
PS1 MOMA PARTY WALL
2013
WITH BANKER STEEL/JC STEEL

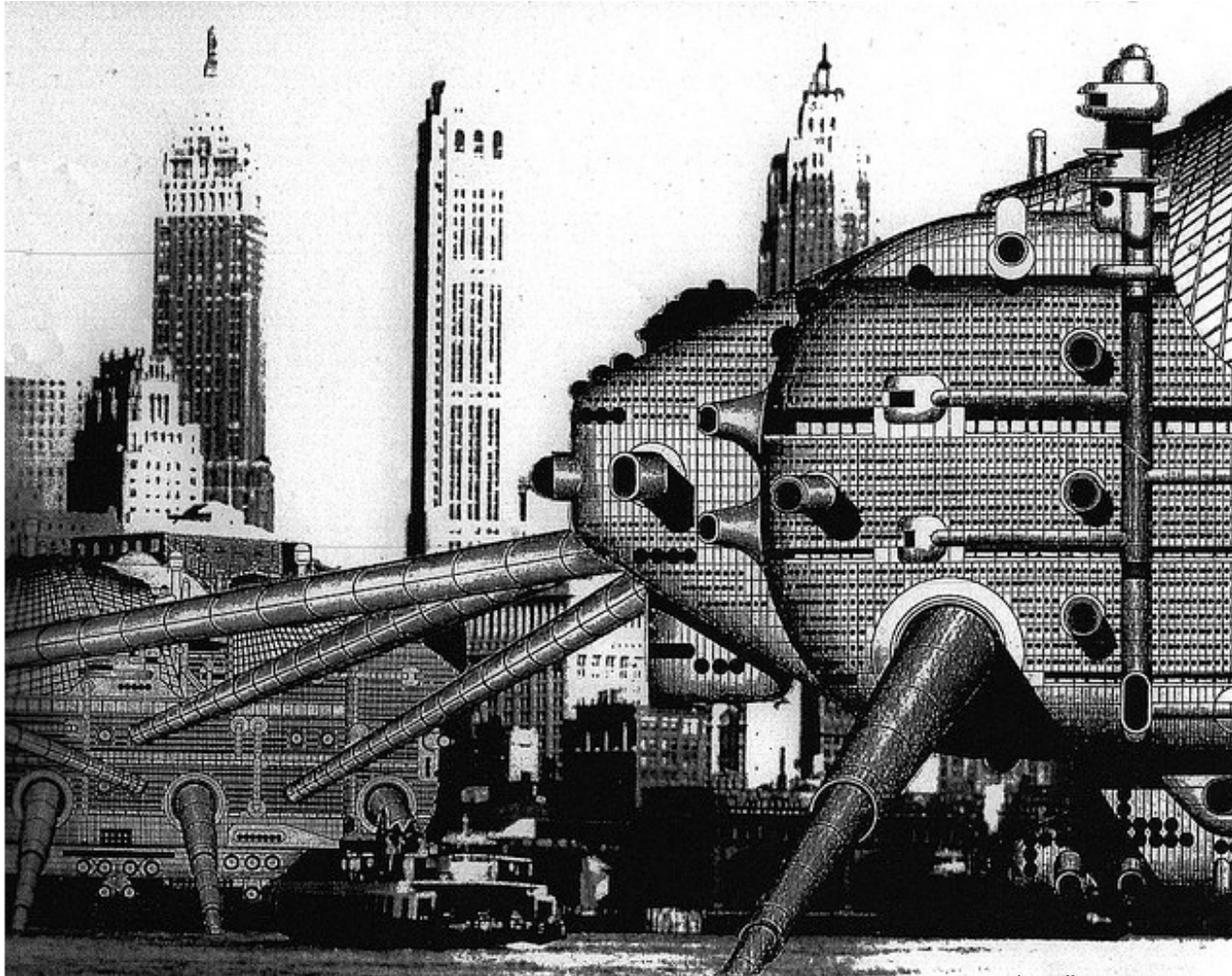




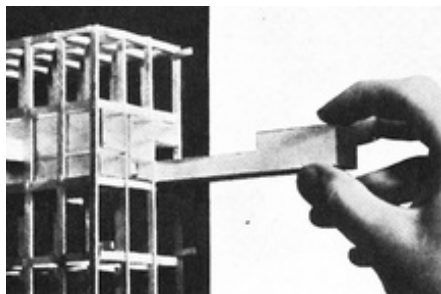
WALKING

To challenge architecture's stasis, its passivity, its fixity, its desire to keep the rest of the world outside of itself.

What if we rethink architecture as *active*
: elements that harness energy, that are physically dynamic, that are generative, that engage with nature, that leave a trace, that impact and are impacted by their context?



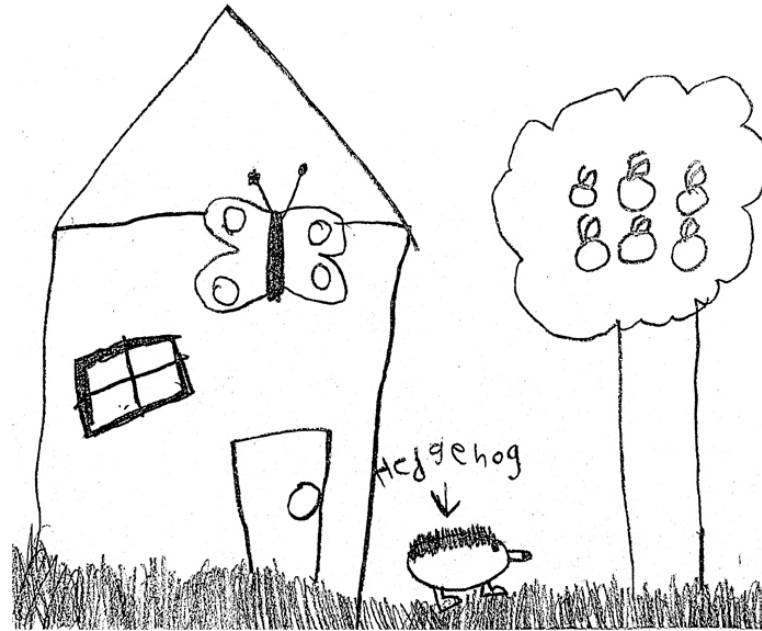
The Walking City,
Ron Herron, /ARCHIGRAM,
1964



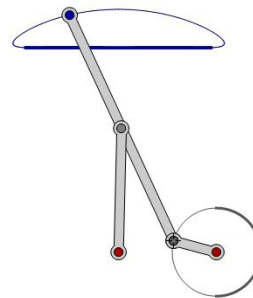
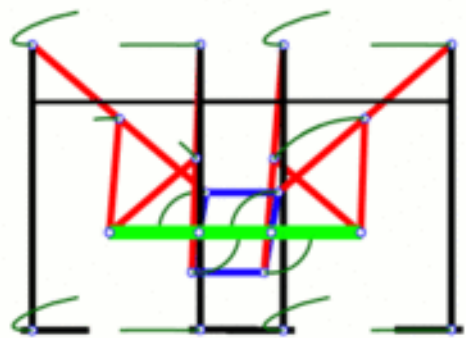
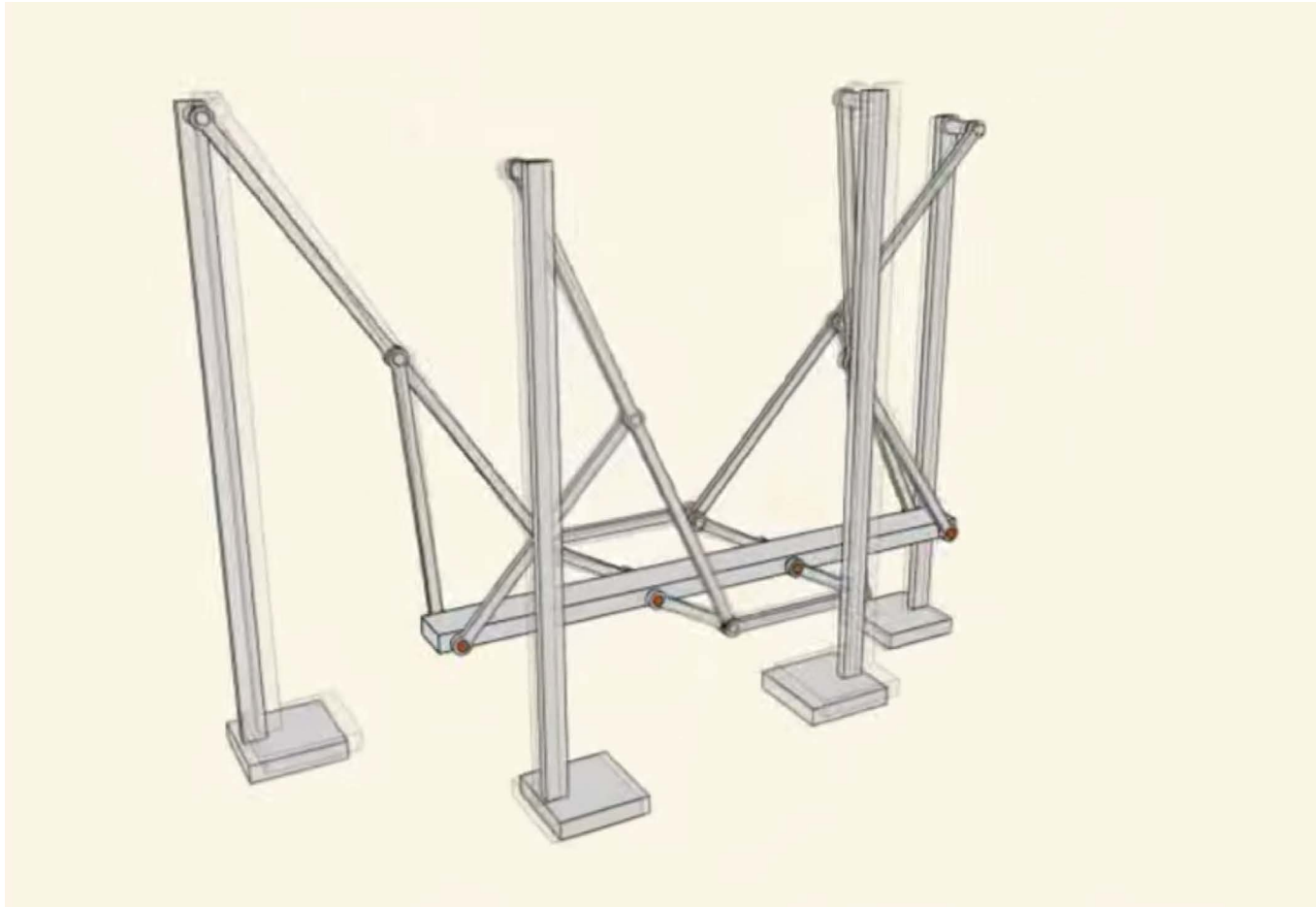
**“A house is a machine
for living in”**

LE CORBUSIER, 1923

LINEAGE

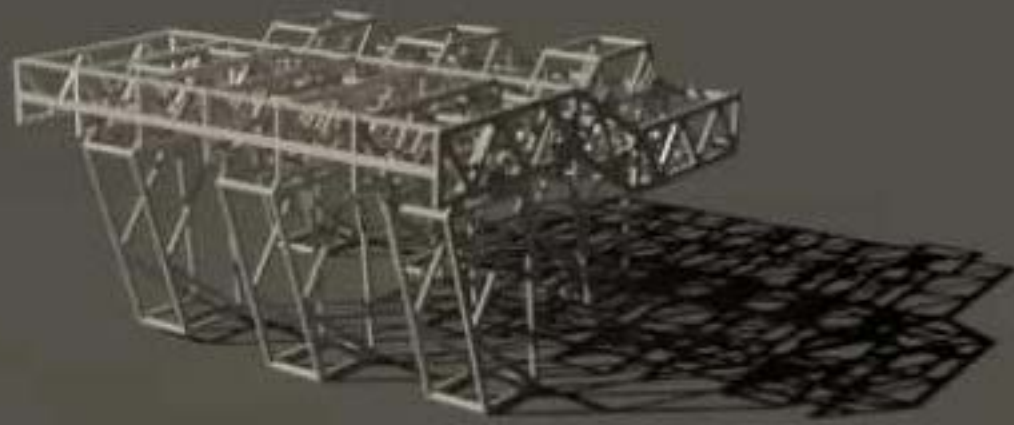


Strandbeest,
Theo Janssen, 2010



The mechanism uses a Tchebychev linkage. https://en.wikipedia.org/wiki/Leg_mechanism

MECHANISM



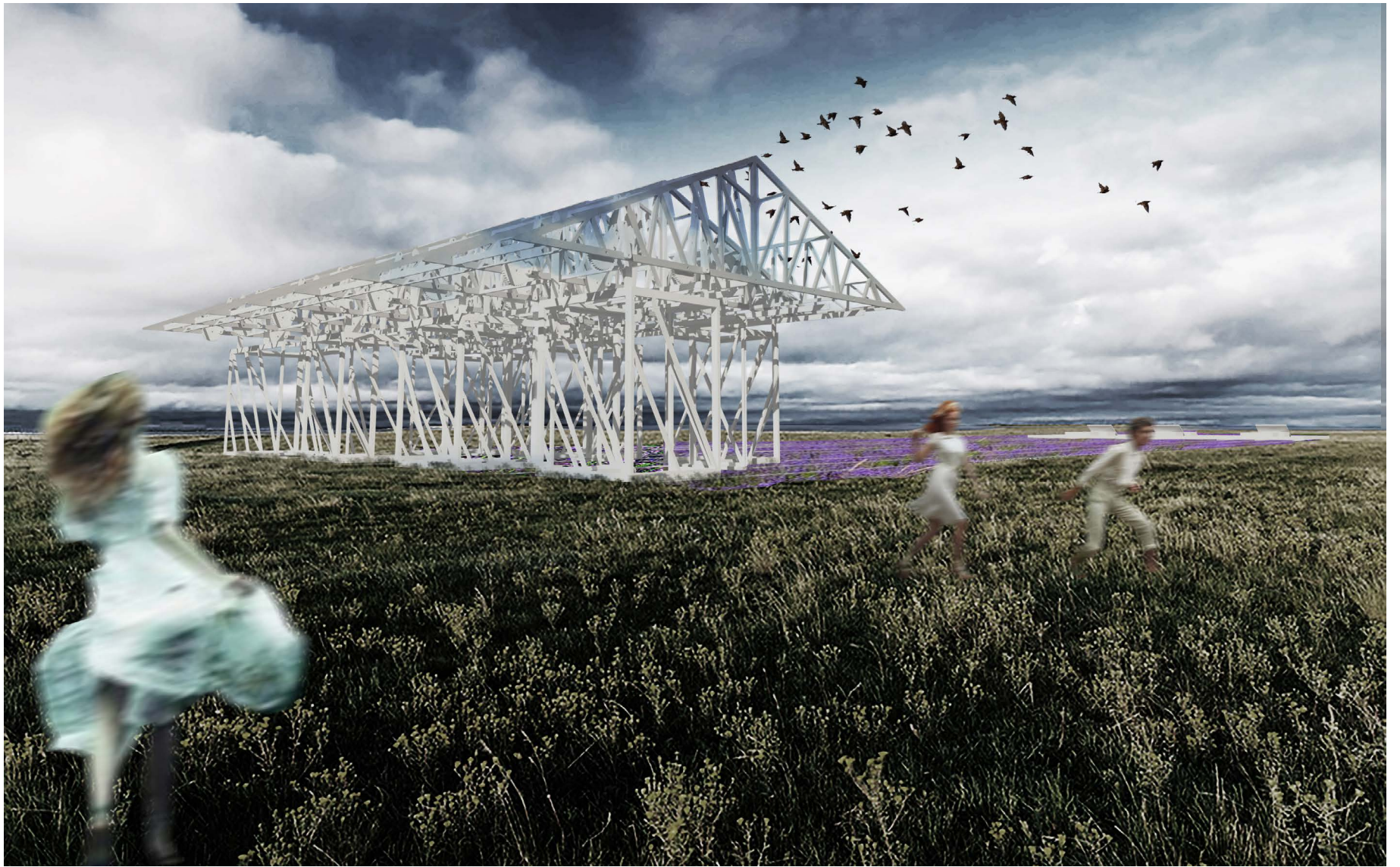
4B



Alice Aycock
A Simple Network of Underground Wells and Tunnels





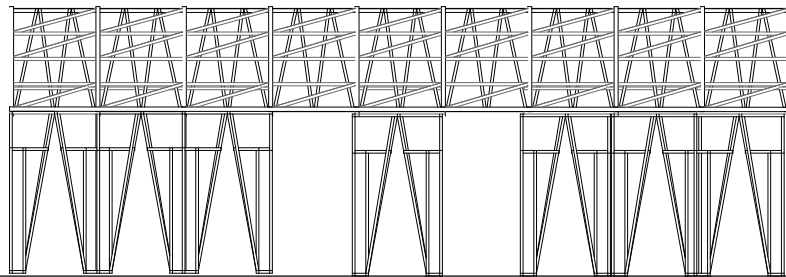
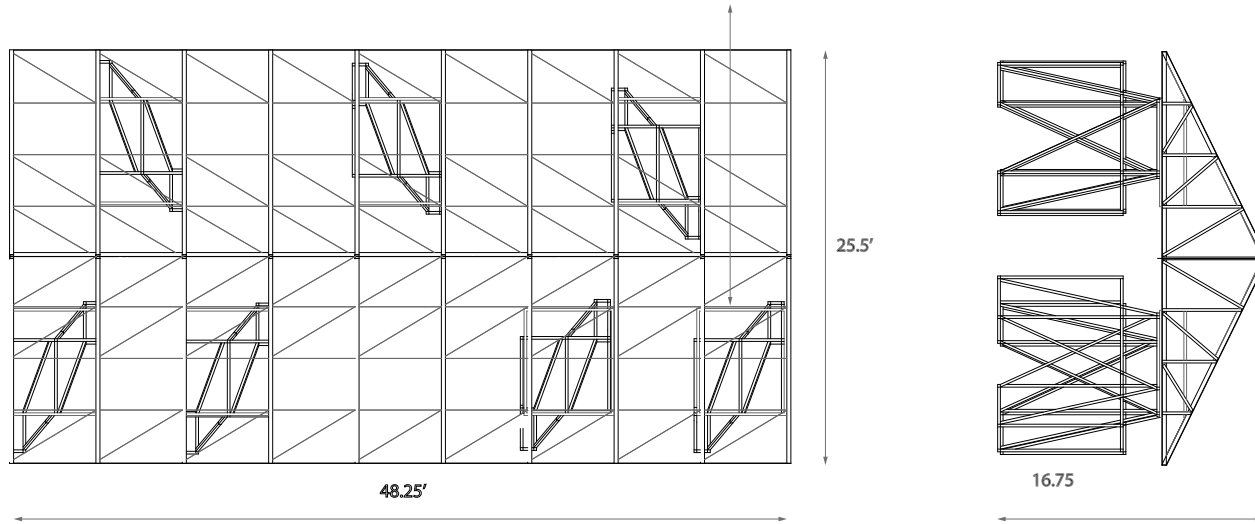




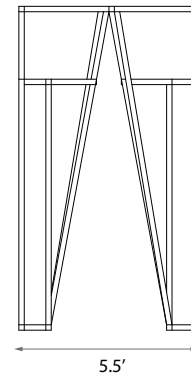
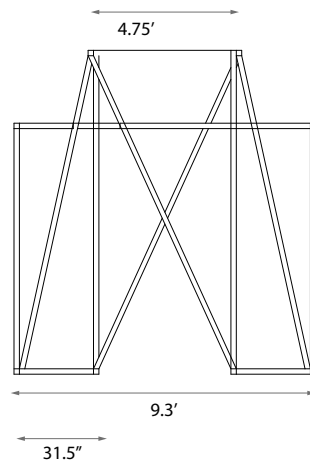
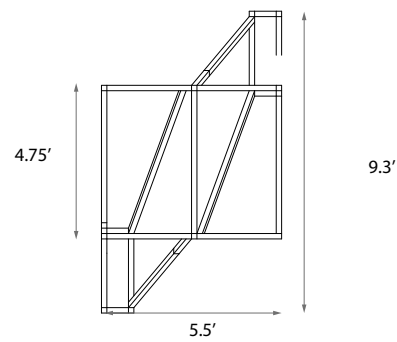
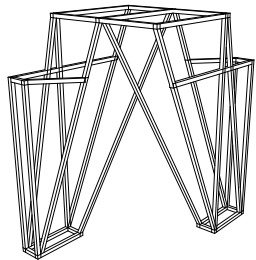


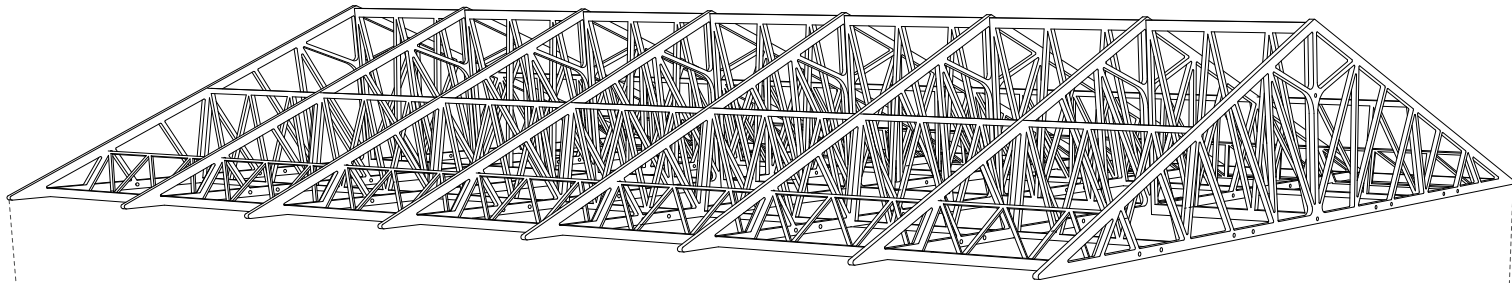




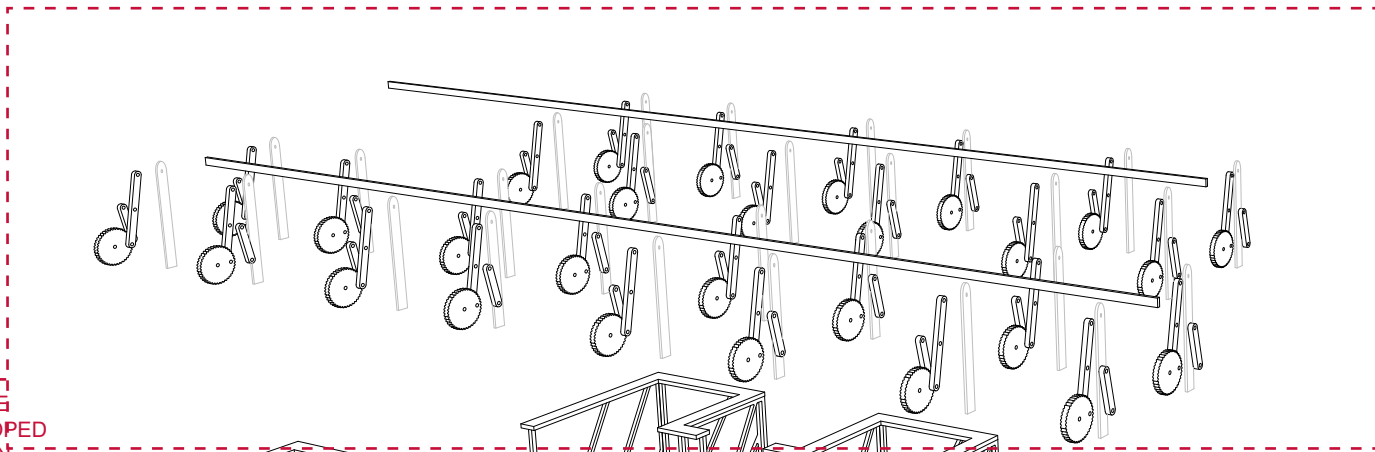


CODA
ZIMMER



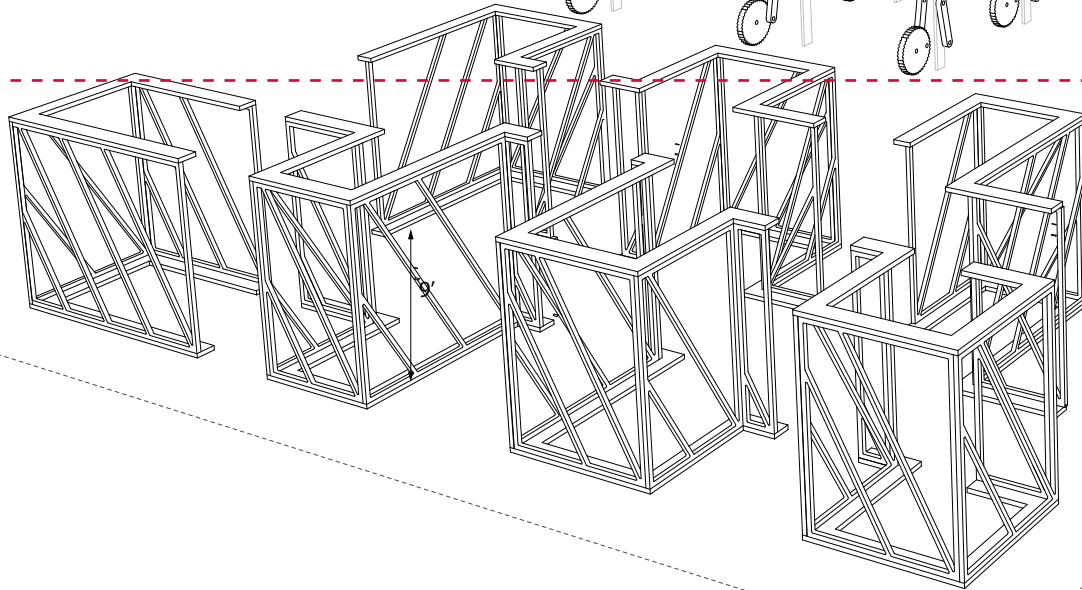


ROOF TRUSS

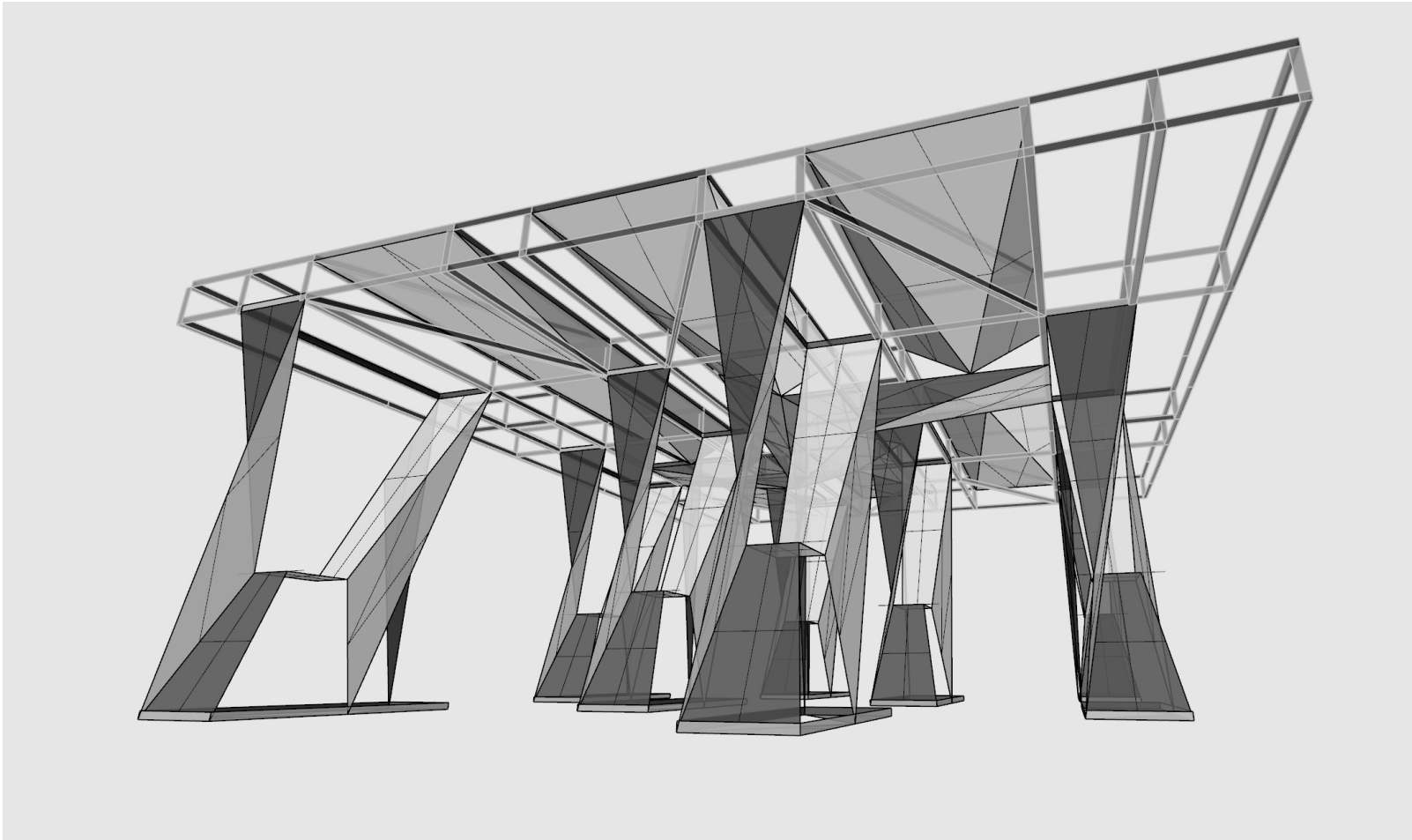


MECHANISM
(TO BE DEVELOPED)

MECHANISM TO BE
FURTHER DEVELOPED
IN NEXT ITERATION



WALL TRUSS



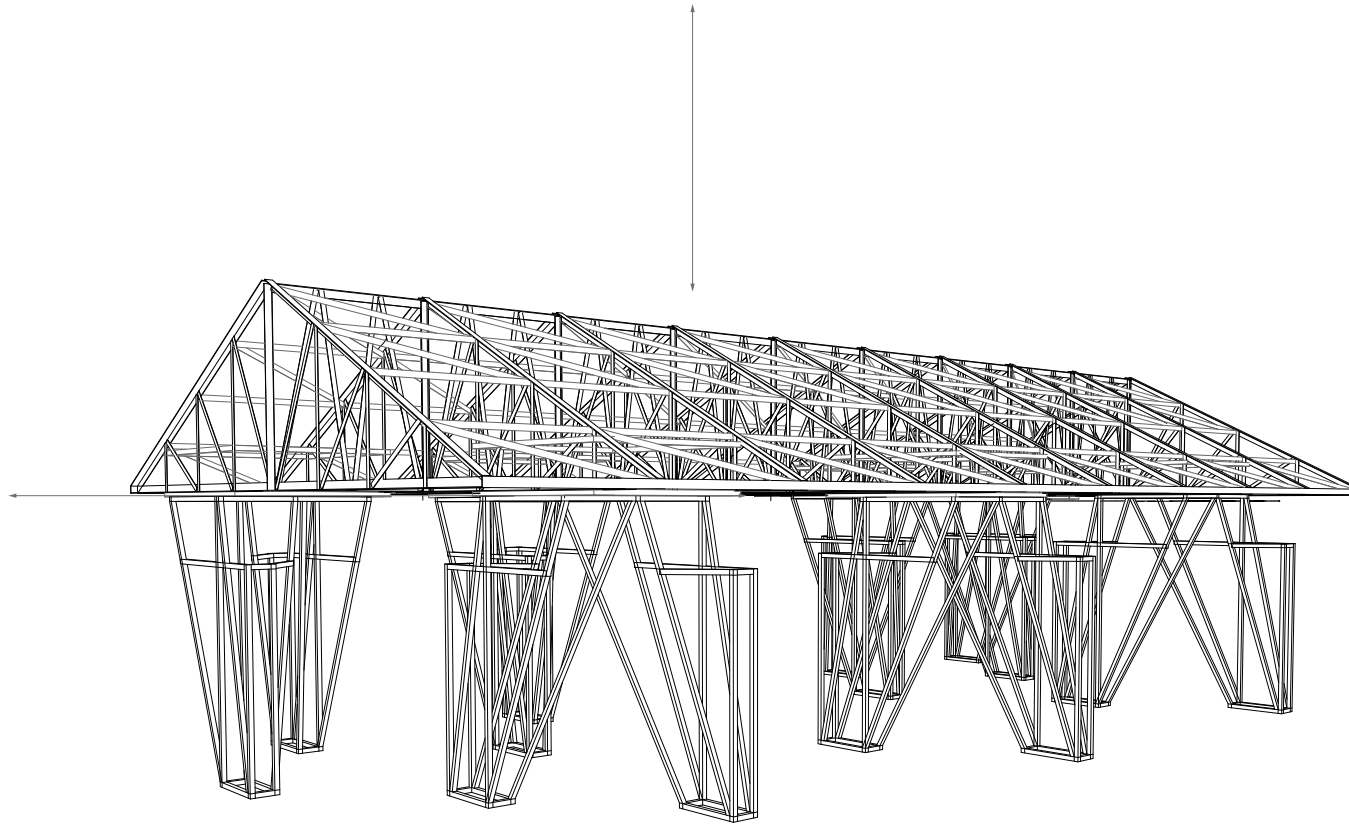
Welded steel structure, 2" tube steel
shop fabricated with minimal field welding.
vs. cold rolled steel truss, bolted.

Rated for wind load: **60mph**

Resists overturning windload by

- 1: porosity
- 2: self-weight
- 3: additional weight as necessary via water containers in roof

STRUCTURE



CODA
ZIMMER

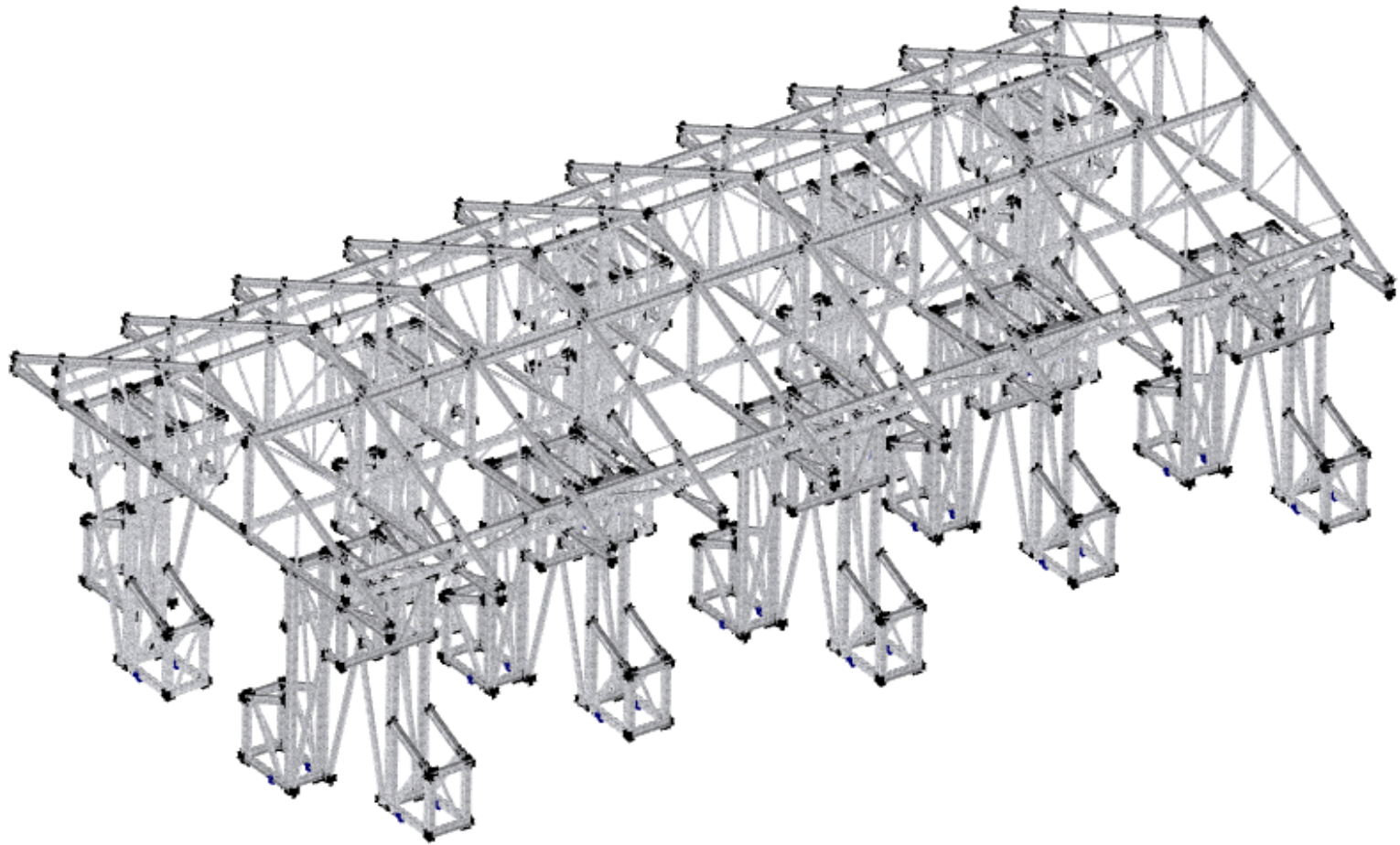
Welded steel structure, 2" tube steel
shop fabricated with minimal field welding.
vs. cold rolled steel truss, bolted.

Rated for wind load: **60mph**

Resists overturning windload by

- 1: porosity
- 2: self-weight
- 3: additional weight as necessary via water containers in roof

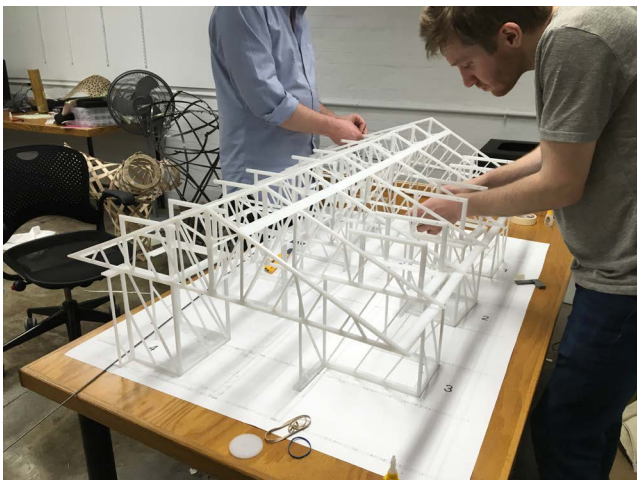
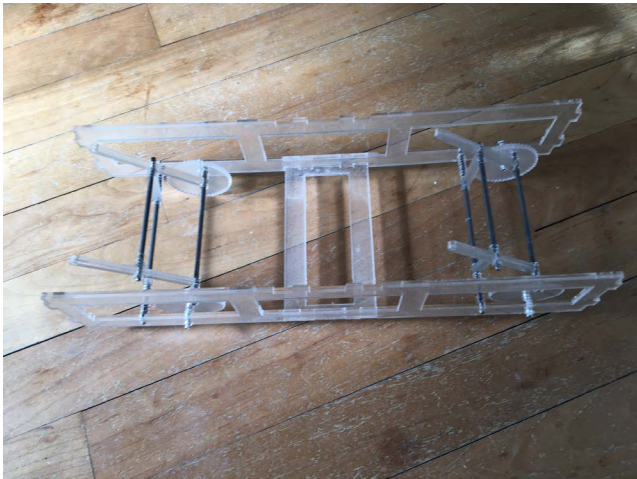
CANTILEVER



Light Gauge Steel



STRUCTURE



CREDITS

Antistatics/CODA

Team: Martin Miller, Caroline O'Donnell, Travis Nissen, Linjun Yu, John Lai.

Mechanical Consultant: Daniel Cellucci, NASA

Structural Consultant: Scott Hughes, Silman Associates

Landscape Consultant: Misako Murata, LMNOP

Zimmer Frame

A metal frame with four legs that you place in front of you and lean on to help you move forward if you have difficulty in walking, for example when old

Zimmer

The description of a positive end result
How's that greasy pie, fatty?
-"The meat to potato ratio is text book. It's a zimmer mate, thanks for asking."

Zimmer (German)

Room or Chamber